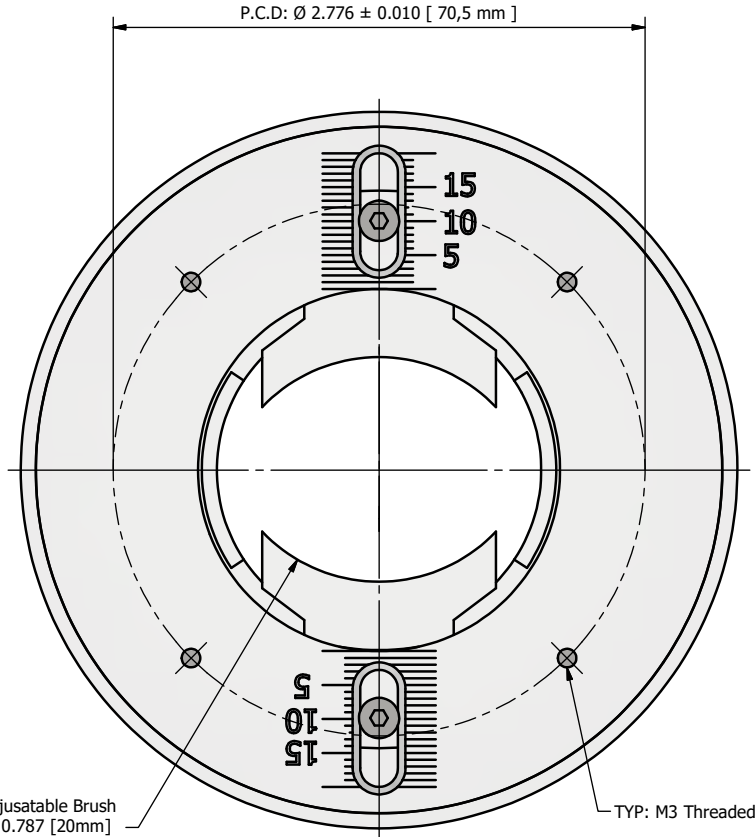
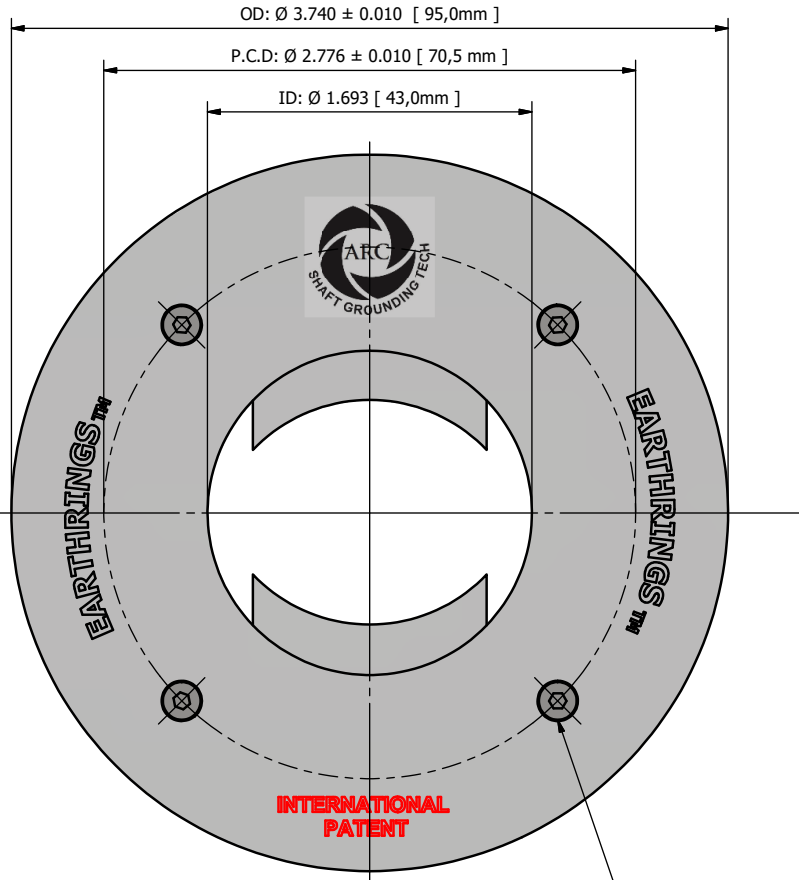


Front Plate (1.5:1)

Back Plate (1.5:1)

LV ARC 20

0.354 [9,0 mm] MAX



TYP: M3 CS Threaded Hole

Adjustable Brush Clamps to Fit \varnothing 0.787 [20mm] to \varnothing 1.575 [40mm] Shafts

TYP: M3 Threaded Hole

REV NO.	REVISION DESCRIPTION	DATE

EARTHINGS™
The Longest Lasting Shaft Grounding Solution

DRAWN BY Thys Coetzer	DATE 2023/07/25	REV NO. 0	VERSION 1
DESCRIPTION LV ARC 20 0.787 [20mm] - 1.575 [40mm] ARC LV Solid Earthing		UNLESS OTHERWISE SPECIFIED DIMENSIONS ARE IN: inch [mm] UNTOLERANCED DIMENSIONS \pm 0.10 [0.254mm]	
SHEET 1 OF 1	SHEET SIZE: A3	DRAWING NUMBER LV ARC 20	